



FHsolar&led

Soluciones energéticas renovables



It's time to upgrade your recessed luminaire

Overview

Inherited FH[®] -series consistent concise design, superior performance and extra long operation life.

The FH[®] H-series LED recessed luminaire is using High Luminous Efficiency PHILIPS LUXEON[®] T luminous source and High Reliable MEANWELL[®] HLG driver.

The luminaire owns up to 95 LPW(lumens per watt) luminous efficiency and over then 100,000 hours operation life.

5 YEAR
WARRANTY

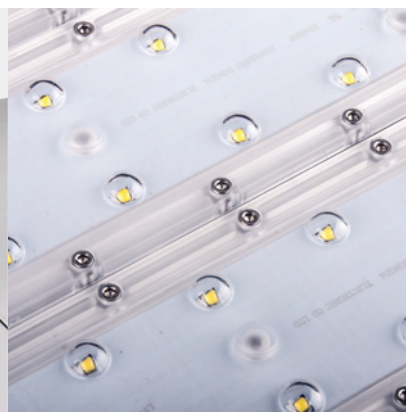
PHILIPS

RETIAP
REGlamento Técnico de Iluminación
y Alumbrado Público.

NOM

Application

- Gas Station
- Hall, Corridor
- Airport, Train Station
- Hotel, Hospital



CE RoHS CB **RETIAP**
REGlamento Técnico de Iluminación
y Alumbrado Público.

www.fhsolarled.com

Exquisite Craftsmanship

FH SOLAR & LED
Main Office
Nuñez Morgado 5
Madrid 28036
Phone. +34 913235993
Fax. +34 913231054
info@fhsolarled.com
Spain

FH SOLAR & LED S.A.S
Carrera 43 No. 12-08
Office 202
Phone +57 (4) 4484414
info@fhsolarled.com
Medellin Colombia
Latam

FH SOLAR & LED C.V
Av.Poder Legislativo 302
Col. Employee
Zip code. 62250
Cuenavaca Morelos
Phone. +52 (55) 84217977
Phone. +52 (77) 71021150
info@fhsolarled.com
Mexico



CE RoHS CB



www.fhsolarled.com

It's time to upgrade your recessed luminaire

Product Benefits

PHILIPS LUMILEDS LED LUMINOUS SOURCE

The FH® -series LED recessed light is utilizing PHILIPS LUXEON® T luminous source, providing excellent lumen output - up to 95 LPW, long-lasting stability and splendid sight.

Each LUXEON® T owns electrostatic protection component, maximally avoid the damage of electrostatic.

More information about the LUXEON® T and solid-state lighting technologies can be found at www.philipslumileds.com.



LUXEON T

High-Efficacy, Illumination
Grade LED light source.

LUXEON
NEVER BEFORE POSSIBLE



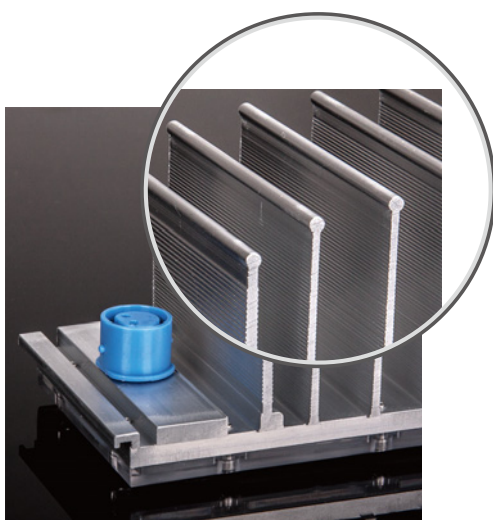
MW MEAN WELL LED DRIVER

Full Range FH® -series LED recessed light is Utilizing MEANWELL® HLG series high-end driver, great luminaire stability, lifespan and optimal performance status.

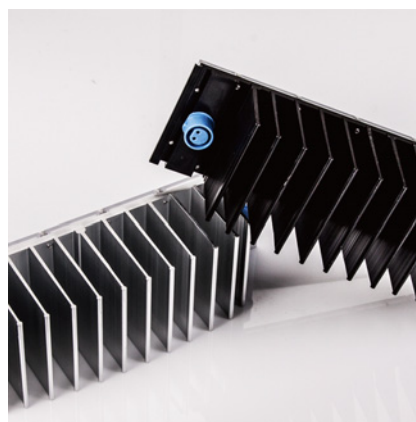
More information about the MEANWELL® HLG series and LED driver technologies, please visit www.meanwell.com



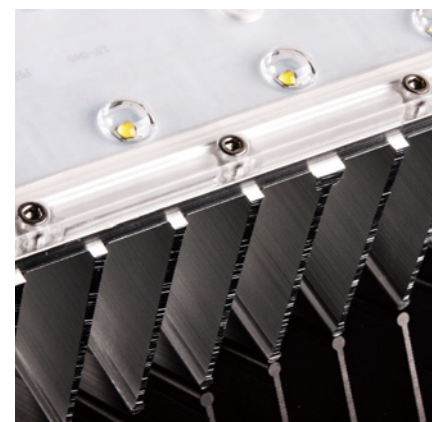
FH 3RD GENERATION LED MODULE Exquisite design with powerful thermal performance, as well as high reliable waterproof rating.



Cylindrical edge design, avoid risk of cuts



Black & Silvery



Overall stainless steel hexagon screws adopted



www.fhsolarled.com

It's time to upgrade your recessed luminaire

Product Benefits

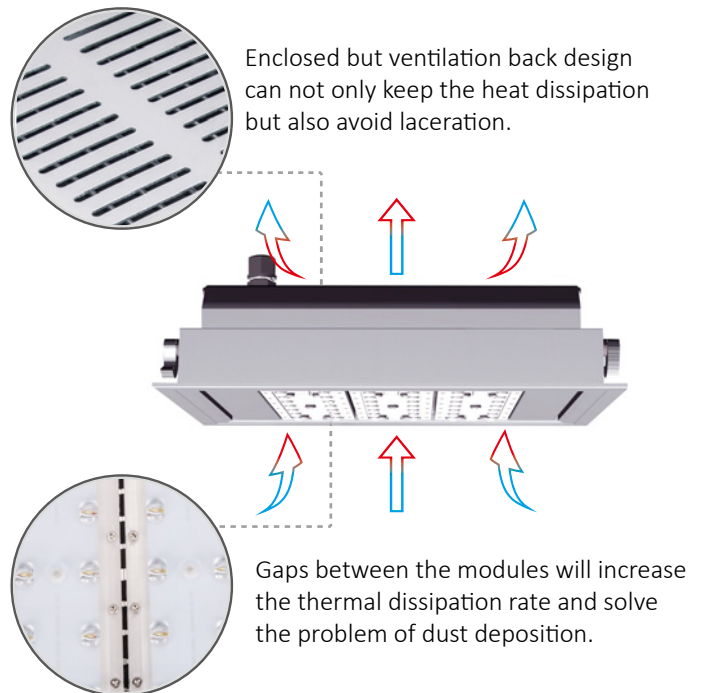
XTREME LUMINAIRE DESIGN

Equipped with exceptional FH® 3rd generation LED module, the H-series LED recessed light gives best luminous output, stability and extra long life. H-series LED high bay light is intend to build the most cost-effective LED recessed light ever.

FH® completed the R&D independently, and reserve all related patents for -series LED recessed lights.

Easy assemble/disassemble, neat wiring & connection, up to 95 LPW luminous efficiency, IP65 Rated, 90%+ driver efficiency, over then 100,000 hours operation life and 5 year warranty.

More information about FH® -series LED recessed light and LED lighting technologies, please visit www.fhsolarled.com.



Professional lens design with 60°, 90° and 110° optional.



Utilize M16 waterproof connector to fix the input cable, avoid damage of hard power pulling.



Convenient connection, neat, clean and efficiency.



Use waterproof connector to fix the input cables, easy to make maintenance.



The exquisite and innovated frame holder not only makes the installation more simple but also firmer.



With a non-corrosive material, not only exquisite appearance, but also no corrosion concerns.

DETAILED FEATURES

FH-40H

It's Time To Upgrade Your Recessed Luminaire

70W HID Replacement



Dimming functions are supported by optional
 † Three in One (1-10V DC or PWM Signal or Resistance)
 † Timer - Contact FH for Details

Specifications

Electrical Specifications:

Model No.	FH-40H
Nominal Wattage	40W
Nominal Voltage	AC 100-240V /277V, 50/60Hz DC /
Maximum Current	AC 0.41A -120V, 0.21A -240V DC /
Optimal Operating Temperature	-40 °C to +50 °C
Power Factor (PF)	> 0.9
Driver Efficiency	> 90%

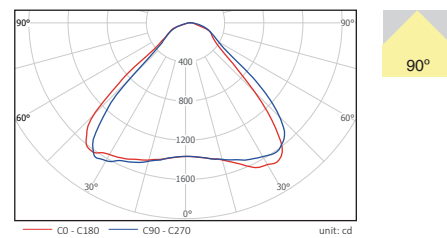
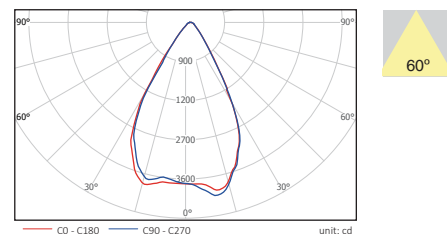
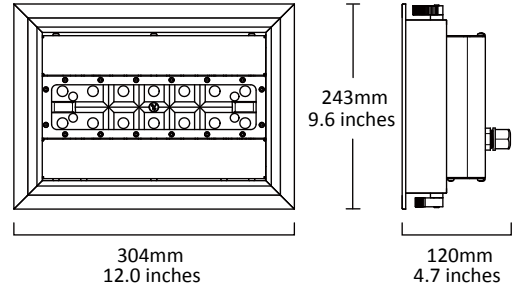
Photometric Specifications:

Lumen Output	3800 lm (+/- 5%)
Photometric Type	60° 90° 110°
CRI	Minimum 70 CRI
CCT	<div style="display: flex; gap: 10px;"> <div style="border: 1px solid black; border-radius: 50%; padding: 2px 5px;">4000k</div> <div style="border: 1px solid black; border-radius: 50%; padding: 2px 5px;">5000k</div> <div style="border: 1px solid black; border-radius: 50%; padding: 2px 5px;">5700K</div> </div>

Mechanical Specifications:

Ratings	IP65, IK08
Lumen Maintenance	>60,000 hours -L70(9K), @25 °C (77 °F)
Heat Radiator	Anodized Aluminum
Lens	PC
Fixture Dimension	243 x304 x120 mm 9.6 x12.0 x4.7 inches
Fixture Weight	2.4 kg /5.3 lbs

Ceiling Thickness: 5 to 25 mm /0.2 to 1.0 inches
 Hole Size: 273 x285 mm /10.7 x11.2 inches



Packing Type

1 unit(s) /ctn.

Packing Dimension

280 x365 x200 mm
 11.0 x14.4 x7.9 inches

Packing Weight

3.1 kg /6.8 lbs

FH-80H

It's Time To Upgrade Your Recessed Luminaire

150W HID Replacement



Dimming functions are supported by optional
 † Three in One (1-10V DC or PWM Signal or Resistance)
 † Timer - Contact FH for Details

Specifications

Electrical Specifications:

Model No.	FH-80H
Nominal Wattage	80W
Nominal Voltage	AC 100-240V /277V, 50/60Hz DC /
Maximum Current	AC 0.82A -120V, 0.41A -240V DC /
Optimal Operating Temperature	-40 °C to +50 °C
Power Factor (PF)	> 0.9
Driver Efficiency	> 90%

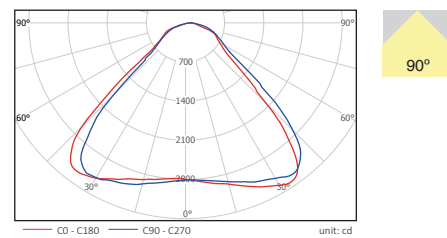
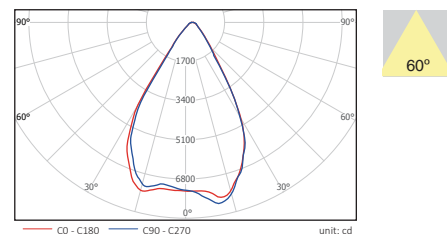
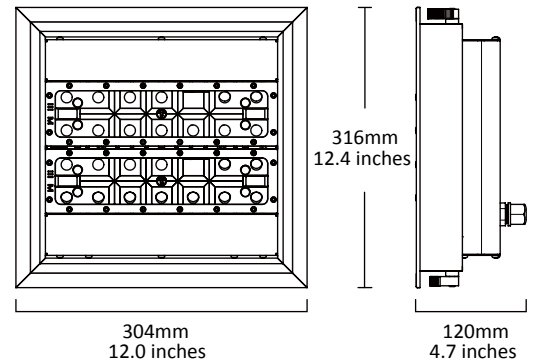
Photometric Specifications:

Lumen Output	7600 lm (+/- 5%)
Photometric Type	60° 90° 110°
CRI	Minimum 70 CRI
CCT	<div style="display: flex; gap: 10px;"> <div style="border: 1px solid black; border-radius: 50%; padding: 2px 5px;">4000k</div> <div style="border: 1px solid black; border-radius: 50%; padding: 2px 5px;">5000k</div> <div style="border: 1px solid black; border-radius: 50%; padding: 2px 5px;">5700K</div> </div>

Mechanical Specifications:

Ratings	IP65, IK08
Lumen Maintenance	>60,000 hours -L70(9K), @25 °C (77 °F)
Heat Radiator	Anodized Aluminum
Lens	PC
Fixture Dimension	316 x304 x120 mm 12.4 x12.0 x4.7 inches
Fixture Weight	3.6 kg /8.0 lbs

Ceiling Thickness: 5 to 25 mm /0.2 to 1.0 inches
 Hole Size: 346 ×285 mm /13.6 ×11.2 inches



Packing Type

1 unit(s) /ctn.

Packing Dimension

355 x365 x200 mm
 14.0 x14.4 x7.9 inches

Packing Weight

4.4 kg /9.7 lbs

FH-120H

It's Time To Upgrade Your Recessed Luminaire

250W HID Replacement



Dimming functions are supported by optional
 † Three in One (1-10V DC or PWM Signal or Resistance)
 † Timer - Contact FH for Details

Specifications

Electrical Specifications:

Model No.	FH-120H
Nominal Wattage	120W
Nominal Voltage	AC 100-240V /277V, 50/60Hz DC /
Maximum Current	AC 1.23A -120V, 0.62A -240V DC /
Optimal Operating Temperature	-40 °C to +50 °C
Power Factor (PF)	> 0.9
Driver Efficiency	> 90%

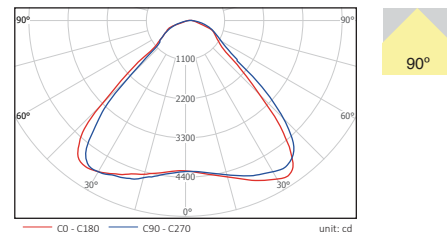
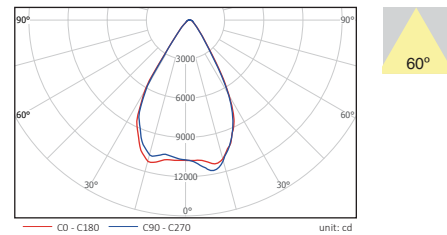
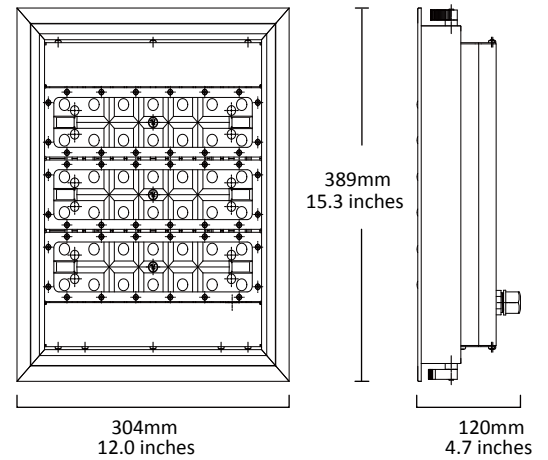
Photometric Specifications:

Lumen Output	11400 lm (+/- 5%)
Photometric Type	60° 90° 110°
CRI	Minimum 70 CRI
CCT	<div style="display: flex; gap: 10px;"> <div style="border: 1px solid black; border-radius: 50%; padding: 2px 5px;">4000k</div> <div style="border: 1px solid black; border-radius: 50%; padding: 2px 5px;">5000k</div> <div style="border: 1px solid black; border-radius: 50%; padding: 2px 5px;">5700K</div> </div>

Mechanical Specifications:

Ratings	IP65, IK08
Lumen Maintenance	>60,000 hours -L70(9K), @25 °C (77 °F)
Heat Radiator	Anodized Aluminum
Lens	PC
Fixture Dimension	389 x304 x120 mm 15.3 x12.0 x4.7 inches
Fixture Weight	4.4 kg /9.7 lbs

Ceiling Thickness: 5 to 25 mm /0.2 to 1.0 inches
 Hole Size: 419 ×285 mm /16.5 ×11.2 inches



Packing Type

1unit(s) /ctn.

Packing Dimension

425 x365 x200 mm
 16.7 x14.4 x7.9 inches

Packing Weight

5.2 kg /11.5 lbs

FH-160H

It's Time To Upgrade Your Recessed Luminaire

Brighter
250W HID Replacement



Dimming functions are supported by optional
+ Three in One (1-10V DC or PWM Signal or Resistance)
+ Timer - Contact FH for Details

Specifications

Electrical Specifications:

Model No.	FH-160H
Nominal Wattage	160W
Nominal Voltage	AC 100-240V /277V, 50/60Hz DC /
Maximum Current	AC 1.65A -120V, 0.82A -240V DC /
Optimal Operating Temperature	-40 °C to +50 °C
Power Factor (PF)	> 0.9
Driver Efficiency	> 90%

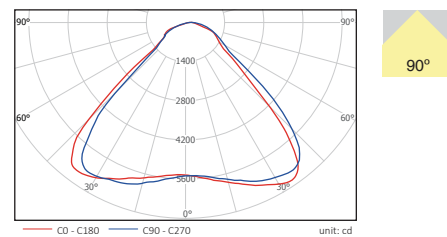
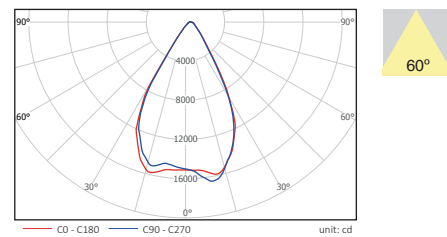
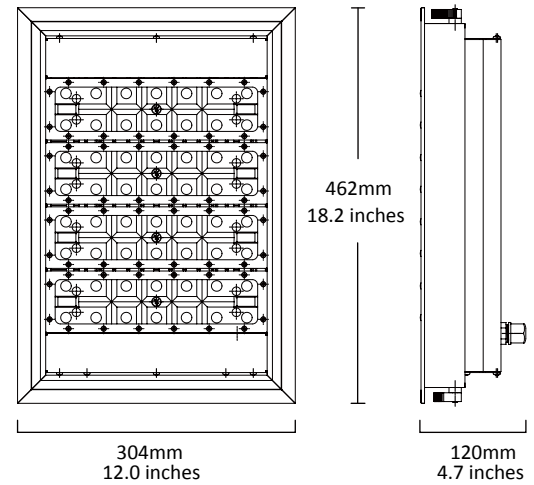
Photometric Specifications:

Lumen Output	15200 lm (+/- 5%)
Photometric Type	60° 90° 110°
CRI	Minimum 70 CRI
CCT	<div style="display: flex; gap: 10px;"> <div style="border: 1px solid black; border-radius: 50%; padding: 2px 5px;">4000k</div> <div style="border: 1px solid black; border-radius: 50%; padding: 2px 5px;">5000k</div> <div style="border: 1px solid black; border-radius: 50%; padding: 2px 5px;">5700K</div> </div>

Mechanical Specifications:

Ratings	IP65, IK08
Lumen Maintenance	>60,000 hours -L70(9K), @25 °C (77 °F)
Heat Radiator	Anodized Aluminum
Lens	PC
Fixture Dimension	462 x304 x120 mm 18.2 x12.0 x4.7 inches
Fixture Weight	5.4 kg /11.9 lbs

Ceiling Thickness: 5 to 25 mm /0.2 to 1.0 inches
Hole Size: 492 ×285 mm /19.4 ×11.2 inches



Packing Type

1unit(s) /ctn.

Packing Dimension

500 x365 x200 mm
19.7 x14.4 x7.9 inches

Packing Weight

6.3 kg /13.9 lbs