



# FHsolar&led

Soluciones energéticas renovables

**SERIES PHILIPS 100Lm x W**



File No. E466856



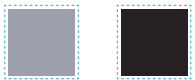
## Overview *Introducing a New Premium Experience*

An elegant design with FH<sup>®</sup> 3<sup>RD</sup> Generation LED Module, High Efficient PHILIPS<sup>®</sup> LUXEON<sup>®</sup> T LED Luminous Source and High Reliable MEANWELL<sup>®</sup> HLG LED Driver.

The FH Premium-Series LED Street Lights own up to 100 lumens per watt efficiency and over than 100,000 hours operation life.



## Color Options



### Application

- Municipal Road
- Highway
- Public Park
- Parking Lot





# FHsolar&led

Soluciones energéticas renovables

certificado  
**RETILAP**



*Available in*  
**BLACK**

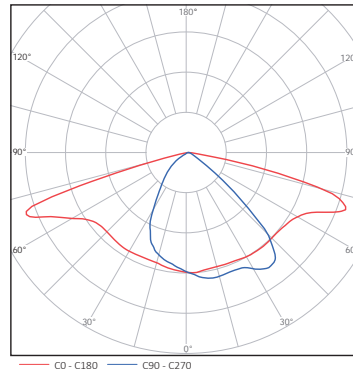
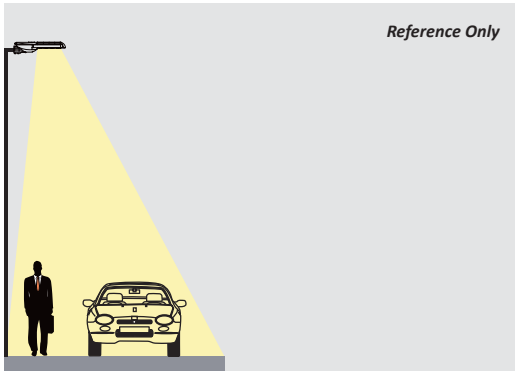
cUL<sub>us</sub>       
LM-79    DLC    IK08    IP66

[www.fhsolarled.com](http://www.fhsolarled.com)



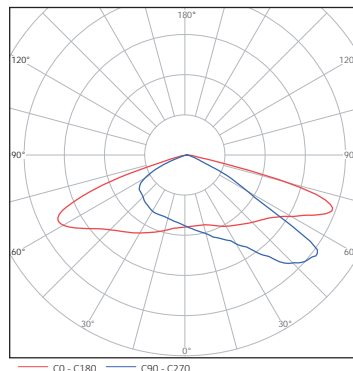
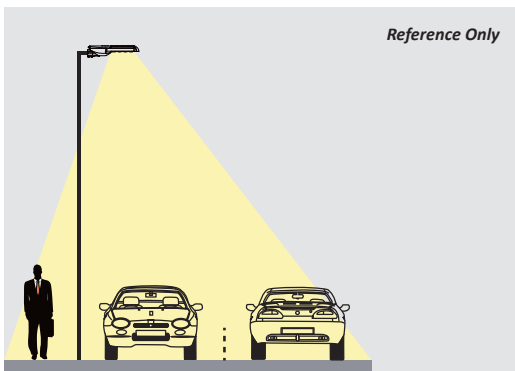
# Introducing a New Premium Experience

## Light Distribution



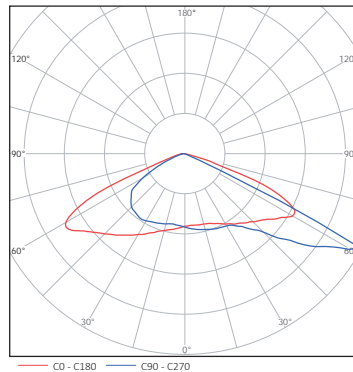
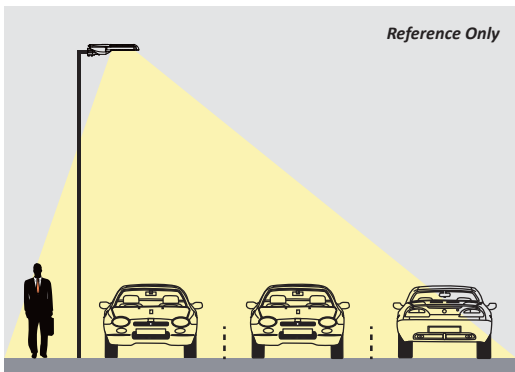
### Type I, Medium

- Application:
1. Single Driveway
  2. Walkway / Cycleway
  3. Branch Roads



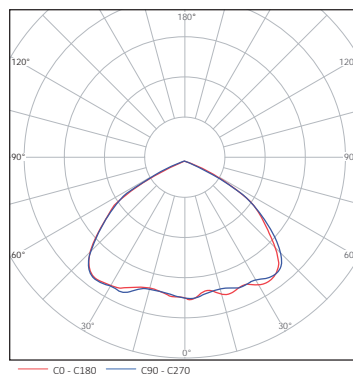
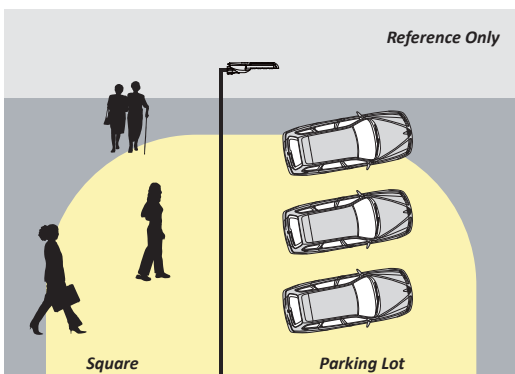
### Type II, Medium

- Application:
1. Two Driveway
  2. Driveway Entrance
  3. Urban Main Roads



### Type III, Medium

- Application:
1. Three Driveway
  2. Highway
  3. Parking Lot / Area



### Type V, Short

- Application:
1. Parking Lot
  2. Square
  3. Area



# Introducing a New Premium Experience

## Product Benefits

### PHILIPS LUMILEDS LED LUMINOUS SOURCE

The FH-Series LED Street Lights are utilizing PHILIPS LUXEON® T LED luminous source, providing excellent luminous efficiency, long-lasting stability and splendid sight.

Each LUXEON® T owns electrostatic protection component, maximally avoid the damage of electrostatic.

More information about the LUXEON® T and solid-state lighting technologies can be found at [www.philipslumileds.com](http://www.philipslumileds.com).



**LUXEON T**  
High-Efficacy, Illumination  
Grade LED light source.

**LUXEON**  
NEVER BEFORE POSSIBLE



### **MW** MEAN WELL LED DRIVER

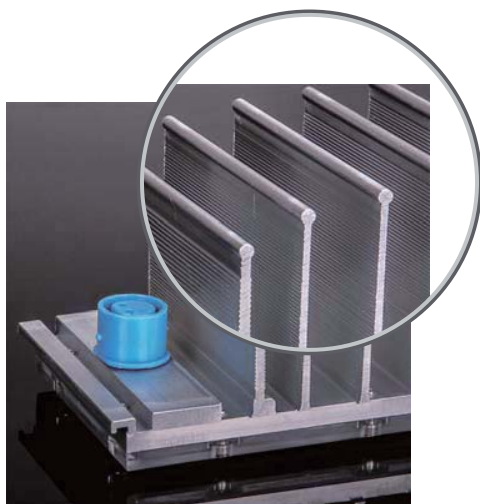
Full Range of FH-Series LED Street Lights are Utilizing MEANWELL HLG Series high-end driver, optimal operation stability, lifespan and performance.

More information about the MEANWELL HLG and LED driver technologies, please visit [www.meanwell.com](http://www.meanwell.com)



### FH 3<sup>RD</sup> GENERATION LED MODULE

Exquisite design with powerful thermal output, with more reliable waterproof performance.



Cylindrical edge design, avoid risk of cuts



Black & Silvery



Overall stainless steel hexagon screws adopted



# Introducing a New Premium Experience

## Product Benefits

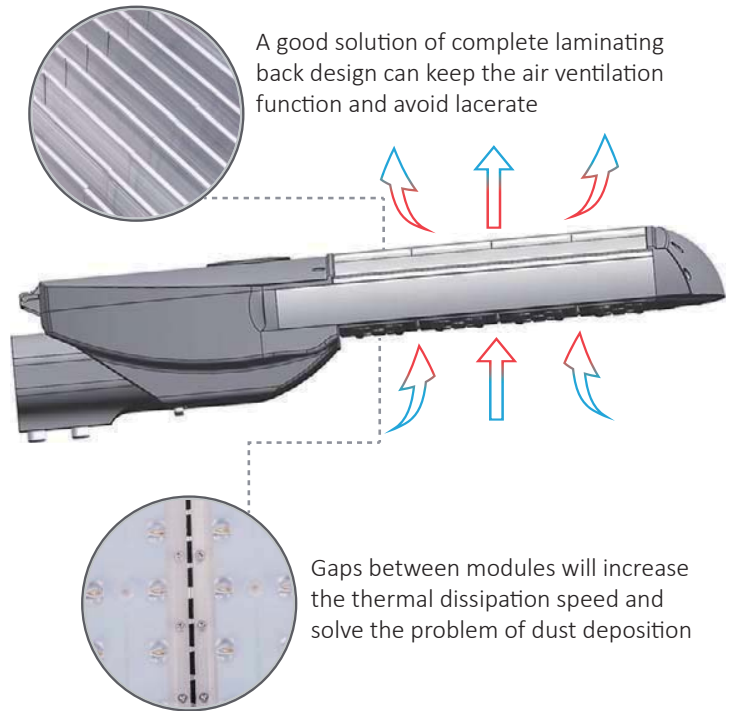
### XTREME LUMINAIRE DESIGN

Equipped with exceptional FH 3<sup>rd</sup> generation LED module, the H-Series LED Street Lights give best luminous output, stability and extra long life. H-Series LED Street Lights are intended to build the most cost-performance ever.

FH SOLAR & LED completed the R&D independently, and reserve all related patents for H-Series LED Street Lights.

Easy assemble/disassemble, neat wiring & connection, up to 100 LPW luminous efficiency, IP66 and IK08 Rated, 90%+ driver efficiency, over then 100,000 hours operation life and 5 years warranty.

More information about the FH-Series LED Street Lights and LED lighting technologies at [www.fhsolarled.com](http://www.fhsolarled.com)



### FLEXIBLE INSTALLATION



Innovative pole fitter not only with the horizontal and vertical installation features, also has 0-15° adjustable function for each installation direction.



# Introducing a New Premium Experience

## Detailed Features



Professional lens design, better performance for street lighting



Utilize two M8 x 16 fortified stainless steel screws to fix the luminaire part to electrical part in both side



New connection, neat, clean and efficiency

\*For UL Standard Only



Utilize Germany **WAGO** connectors for output connections, safety, convenient and fast



Utilize M12 waterproof connector for output cable fixing, avoid damage of hard power pulling



Also use M16 waterproof connector for input cable fixing, avoid damage of hard power pulling



A more rational clamshell design for electrical box, sturdy and durable



Whole luminaire utilize the stainless steel screws, no corrosion worries



Superlative craftsmanship



# FH-P40\*

Introducing a New Premium Experience

**70W HID Replacement**



Optical control function is supported by optional  
Dimming functions are supported by optional  
† Three in One (1-10V DC or PWM Signal or Resistance)  
† Timer - Contact [www.fhsolarled.com](http://www.fhsolarled.com) for Details




Photocell

## Specifications

### Electrical Specifications:

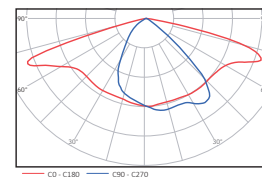
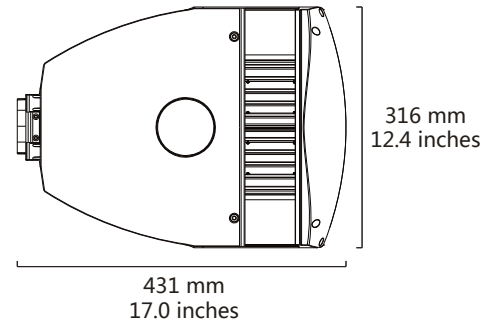
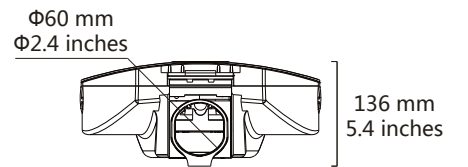
Model No.	FH-P40*
Nominal Wattage	40W
Nominal Voltage	AC 100-240V /277V, 50/60Hz DC 12V /24V
Maximum Current	AC 0.41A -120V, 0.21A -240V, 0.18A -277V DC /
Optimal Operating Temperature	-40 °C to +50 °C
Power Factor (PF)	> 0.9
Driver Efficiency	> 90%

### Photometric Specifications:

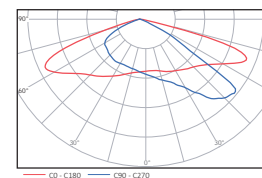
Lumen Output	4000 lm (+Lumen tolerance +/- 5%)
Photometric Type	1M, 2M, 3M, 5S
CRI	Ra >= 70 (+/- 5)
CCT	

### Mechanical Specifications:

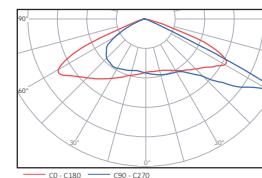
Ratings	IP66, IK08
Lumen Maintenance	> 60000 hours -L70, @25 °C (77 °F)
Heat Radiator	Anodized Aluminum
Lens	PC
Fixture Dimension	431 x316 x136 mm 17.0 x12.4 x5.4 inches
Fixture Weight	5.3 kg /11.7 lbs



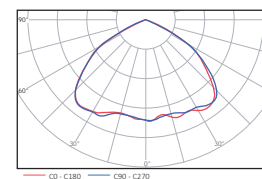
Type I, Medium  
Order Ref.  
FH-P40\*1M



Type II, Medium  
Order Ref.  
FH-P40\*2M



Type III, Medium  
Order Ref.  
FH-P40\*3M



Type V, Short  
Order Ref.  
FH-P40\*5S

### Packing Type

1 unit(s) /ctn.

### Packing Dimension

480 x370 x200 mm  
18.9 x14.6 x7.9 inches

### Packing Weight

6.3 kg /13.9 lbs



# FH-P80\*

Introducing a New Premium Experience

certificado  
**RETILAP**

**100W HID Replacement**



Optical control function is supported by optional  
Dimming functions are supported by optional  
† Three in One (1-10V DC or PWM Signal or Resistance)  
† Timer - Contact [www.fhsolarled.com](http://www.fhsolarled.com) for Details




## Specifications

### Electrical Specifications:

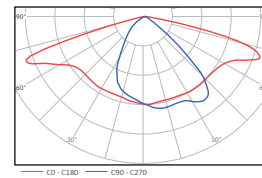
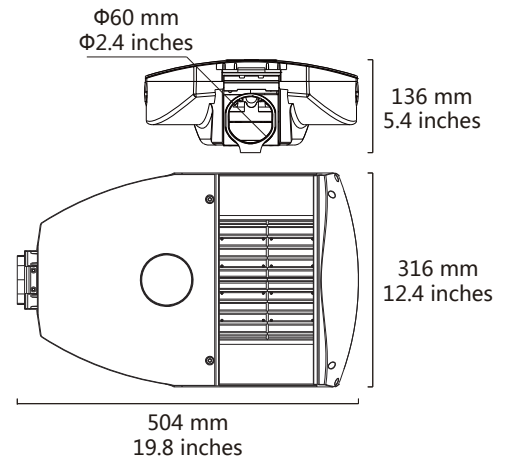
Model No.	FH-P80*
Nominal Wattage	80W
Nominal Voltage	AC 100-240V /277V, 50/60Hz DC 24V
Maximum Current	AC 0.82A -120V, 0.41A -240V, 0.36A -277V DC /
Optimal Operating Temperature	-40 °C to +50 °C
Power Factor (PF)	> 0.9
Driver Efficiency	> 90%

### Photometric Specifications:

Lumen Output	8000 lm (†Lumen tolerance +/- 5%)
Photometric Type	1M, 2M, 3M, 5S
CRI	Ra >= 70 (+/- .5)
CCT	

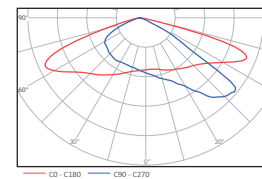
### Mechanical Specifications:

Ratings	IP66, IK08
Lumen Maintenance	> 60000 hours -L70, @25 °C (77 °F)
Heat Radiator	Anodized Aluminum
Lens	PC
Fixture Dimension	504 x316 x136 mm 19.8 x12.4 x5.4 inches
Fixture Weight	6.1 kg /13.4 lbs



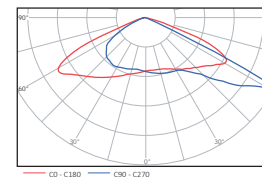
Type I, Medium

Order Ref.  
FH-P80\*1M



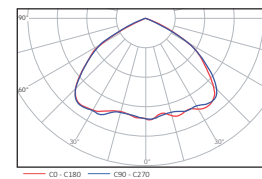
Type II, Medium

Order Ref.  
FH-P80\*2M



Type III, Medium

Order Ref.  
FH-P80\*3M



Type V, Short

Order Ref.  
FH-P80\*5S

### Packing Type

1 unit(s) /ctn.

### Packing Dimension

555 x370 x200 mm  
21.9 x14.6 x7.9 inches

### Packing Weight

7.3 kg /16.1 lbs



# FH-P120\*

Introducing a New Premium Experience



150W HID Replacement



Optical control function is supported by optional  
Dimming functions are supported by optional  
† Three in One (1-10V DC or PWM Signal or Resistance)  
† Timer - Contact [www.fhsolarled.com](http://www.fhsolarled.com) for Details



## Specifications

### Electrical Specifications:

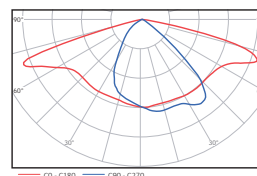
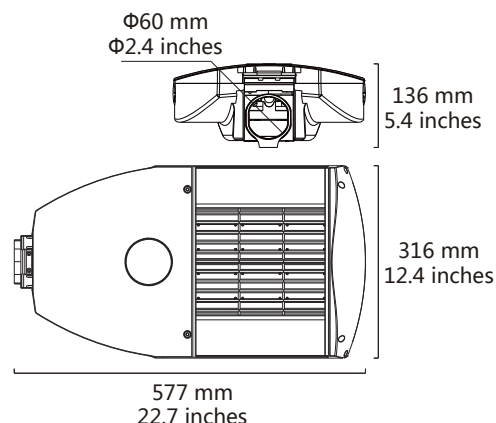
Model No.	FH-P120*
Nominal Wattage	120W
Nominal Voltage	AC 100-240V /277V, 50/60Hz DC /
Maximum Current	AC 1.23A -120V, 0.62A -240V, 0.53A -277V DC /
Optimal Operating Temperature	-40 °C to +50 °C
Power Factor (PF)	> 0.9
Driver Efficiency	> 90%

### Photometric Specifications:

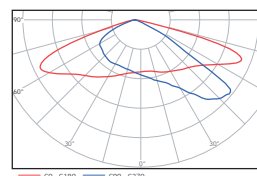
Lumen Output	12000 lm (†Lumen tolerance +/- 5%)
Photometric Type	1M, 2M, 3M, 5S
CRI	Ra >= 70 (+/- 5)
CCT	

### Mechanical Specifications:

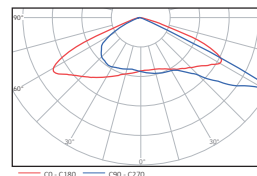
Ratings	IP66, IK08
Lumen Maintenance	> 60000 hours -L70, @25 °C (77 °F)
Heat Radiator	Anodized Aluminum
Lens	PC
Fixture Dimension	577 x316 x136 mm 22.7 x12.4 x5.4 inches
Fixture Weight	7.3 kg /16.1 lbs



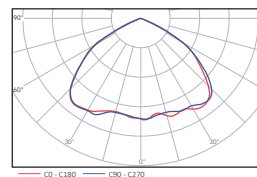
Type I, Medium  
Order Ref.  
FH-P120\*1M



Type II, Medium  
Order Ref.  
FH-P120\*2M



Type III, Medium  
Order Ref.  
FH\_P120\*3M



Type V, Short  
Order Ref.  
FH-P120\*5S

### Packing Type

1 unit(s) / ctn.

### Packing Dimension

630 x370 x200 mm  
24.8 x14.6 x7.9 inches

### Packing Weight

8.6 kg /19.0 lbs



# FH-P160\*

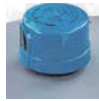
Introducing a New Premium Experience



## 250W HID Replacement



Optical control function is supported by optional  
Dimming functions are supported by optional  
† Three in One (1-10V DC or PWM Signal or Resistance)  
† Timer - Contact [www.fhsolarled.com](http://www.fhsolarled.com) for Details



### Specifications

#### Electrical Specifications:

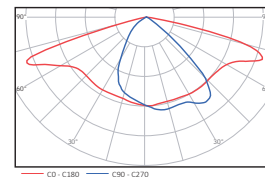
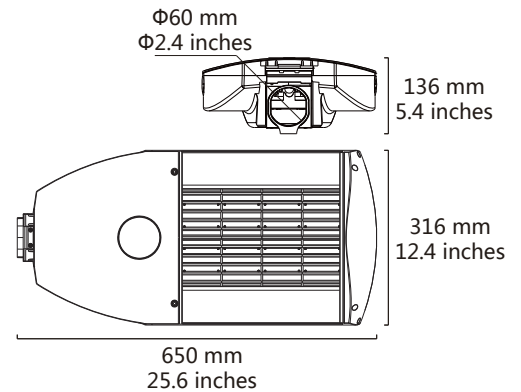
Model No.	FH-P160*
Nominal Wattage	160W
Nominal Voltage	AC 100-240V /277V, 50/60Hz DC /
Maximum Current	AC 1.65A -120V, 0.82A -240V, 0.71A -277V DC /
Optimal Operating Temperature	-40 °C to +50 °C
Power Factor (PF)	> 0.9
Driver Efficiency	> 90%

#### Photometric Specifications:

Lumen Output	16000 lm (†Lumen tolerance +/- 5%)
Photometric Type	1M, 2M, 3M, 5S
CRI	Ra >= 70 (+/- .5)
CCT	

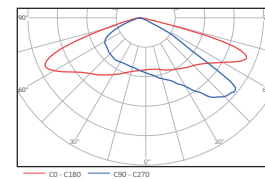
#### Mechanical Specifications:

Ratings	IP66, IK08
Lumen Maintenance	> 60000 hours -L70, @25 °C (77 °F)
Heat Radiator	Anodized Aluminum
Lens	PC
Fixture Dimension	650 x316 x136 mm 25.6 x12.4 x5.4 inches
Fixture Weight	8.2 kg /18.1 lbs



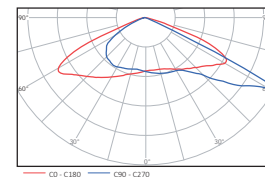
Type I, Medium

Order Ref.  
FH-P160\*1M



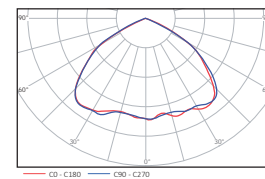
Type II, Medium

Order Ref. FH-  
P160\*2M



Type III, Medium

Order Ref.  
FH-P160\*3M



Type V, Short

Order Ref.  
FH\_P160\*5S

#### Packing Type

1 unit(s) / ctn.

#### Packing Dimension

705 x370 x200 mm  
27.8 x14.6 x7.9 inches

#### Packing Weight

9.6 kg /21.2 lbs



# FH-P200\*

Introducing a New Premium Experience

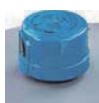
Brighter

certificado  
**RETILAP**

**250W HID Replacement**



Optical control function is supported by optional  
Dimming functions are supported by optional  
† Three in One (1-10V DC or PWM Signal or Resistance)  
† Timer - Contact [www.fhsolarled.com](http://www.fhsolarled.com) for Details




## Specifications

### Electrical Specifications:

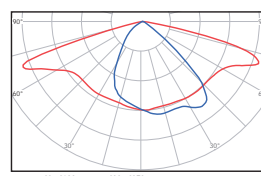
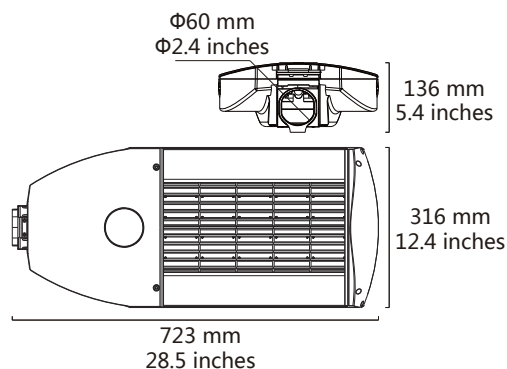
Model No.	FH-P200*
Nominal Wattage	200W
Nominal Voltage	AC 100-240V /277V, 50/60Hz DC /
Maximum Current	AC 2.06A -120V, 1.03A -240V, 0.89A -277V DC /
Optimal Operating Temperature	-40 °C to +50 °C
Power Factor (PF)	> 0.9
Driver Efficiency	> 90%

### Photometric Specifications:

Lumen Output	20000 lm (†Lumen tolerance +/- 5%)
Photometric Type	1M, 2M, 3M, 5S
CRI	Ra >= 70 (+/- 5)
CCT	

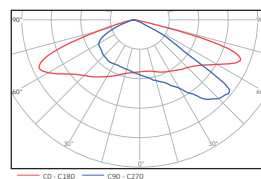
### Mechanical Specifications:

Ratings	IP66, IK08
Lumen Maintenance	> 60000 hours -L70, @25 °C (77 °F)
Heat Radiator	Anodized Aluminum
Lens	PC
Fixture Dimension	723 x316 x136 mm 28.5 x12.4 x5.4 inches
Fixture Weight	9.0 kg /19.8 lbs



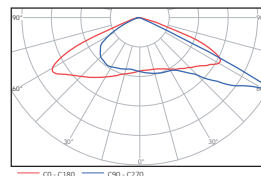
Type I, Medium

Order Ref.  
FH-P200\*1M



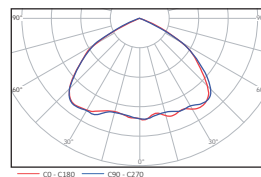
Type II, Medium

Order Ref.  
FH-P200\*2M



Type III, Medium

Order Ref.  
FH-P200\*3M



Type V, Short

Order Ref.  
FH-P200\*5S

### Packing Type

1 unit(s) / ctn.

### Packing Dimension

780 x370 x200 mm  
30.7 x14.6 x7.9 inches

### Packing Weight

10.6 kg /23.4 lbs



# FH-P240\*

Introducing a New Premium Experience



400W HID Replacement



Optical control function is supported by optional  
Dimming functions are supported by optional  
† Three in One (1-10V DC or PWM Signal or Resistance)  
† Timer - Contac [www.fhsolarled.com](http://www.fhsolarled.com) for Details



## Specifications

### Electrical Specifications:

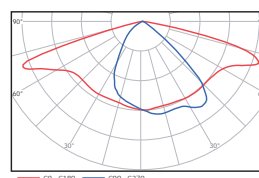
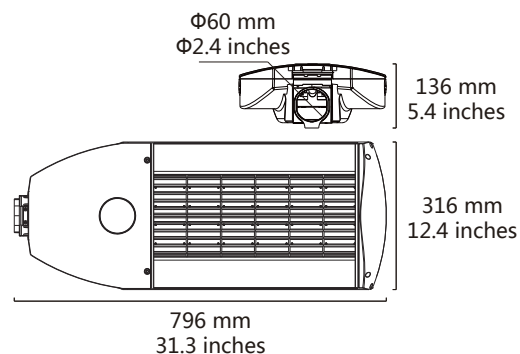
Model No.	FH-P240*
Nominal Wattage	240W
Nominal Voltage	AC 100-240V /277V, 50/60Hz DC /
Maximum Current	AC 2.47A -120V, 1.23A -240V, 1.07A -277V DC /
Optimal Operating Temperature	-40 °C to +50 °C
Power Factor (PF)	> 0.9
Driver Efficiency	> 90%

### Photometric Specifications:

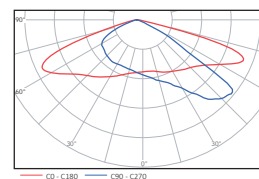
Lumen Output	24000 lm (†Lumen tolerance +/- 5%)
Photometric Type	1M, 2M, 3M, 5S
CRI	Ra >= 70 (+/- .5)
CCT	

### Mechanical Specifications:

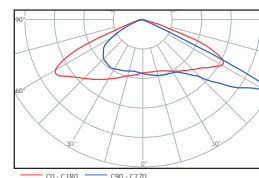
Ratings	IP66, IK08
Lumen Maintenance	> 60000 hours -L70, @25 °C (77 °F)
Heat Radiator	Anodized Aluminum
Lens	PC
Fixture Dimension	796 x316 x136 mm 31.3 x12.4 x5.4 inches
Fixture Weight	9.9 kg /21.8 lbs



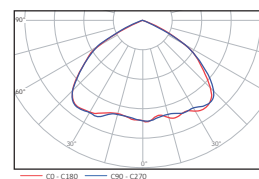
Type I, Medium  
Order Ref.  
FH-P240\*1M



Type II, Medium  
Order Ref.  
FH-P240\*2M



Type III, Medium  
Order Ref.  
FH-P240\*3M



Type V, Short  
Order Ref.  
FH-P240\*5S

### Packing Type

1 unit(s) /ctn.

### Packing Dimension

855 x370 x200 mm  
33.7 x14.6 x7.9 inches

### Packing Weight

11.6 kg /25.6 lbs



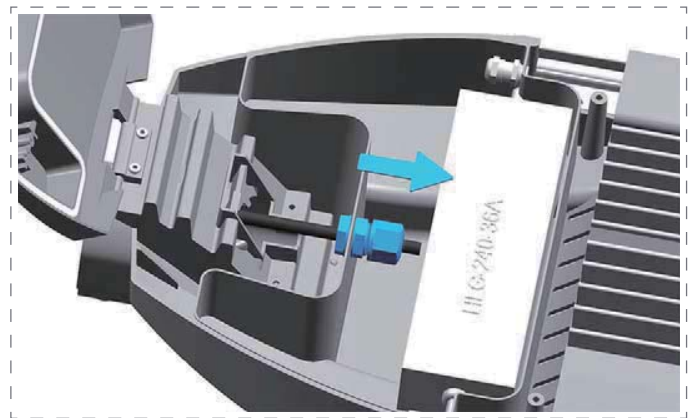
# Introducing a New Premium Experience

## Simple Installation Instruction

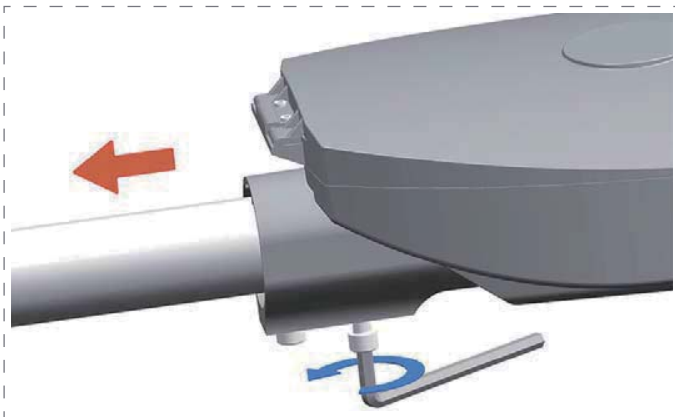
**⚠ Caution: Always switch off the power supply before commencing work!**



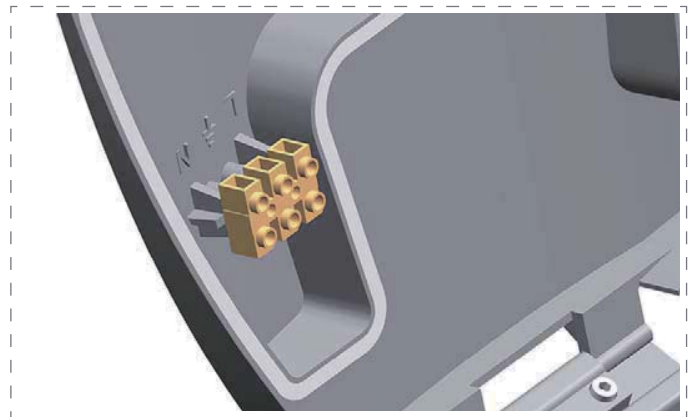
Open the electrical box by remove two M5 hexagon screws.



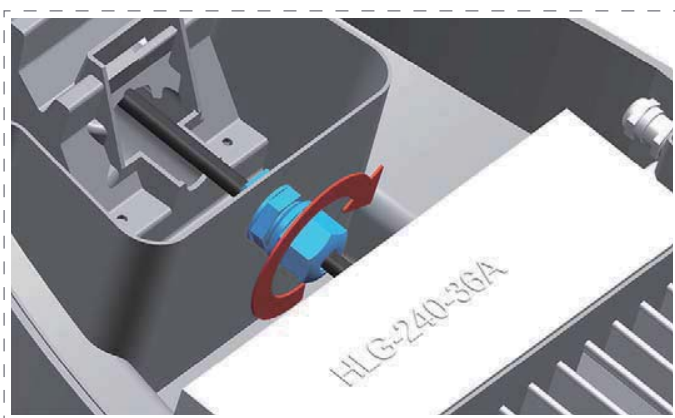
Thread the cable by M16 waterproof connector, do not tighten the connector.



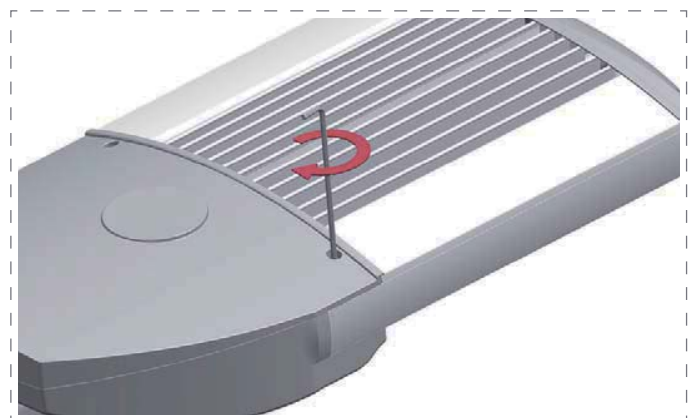
Mount the street light and adjust to proper position, fix the two M10 screws.



Connect the wires to terminal block accordance with L, N and GND  $\oplus$  on the cover of electrical box.



Tighten the waterproof connector after connection finished to avoid damage of pull.



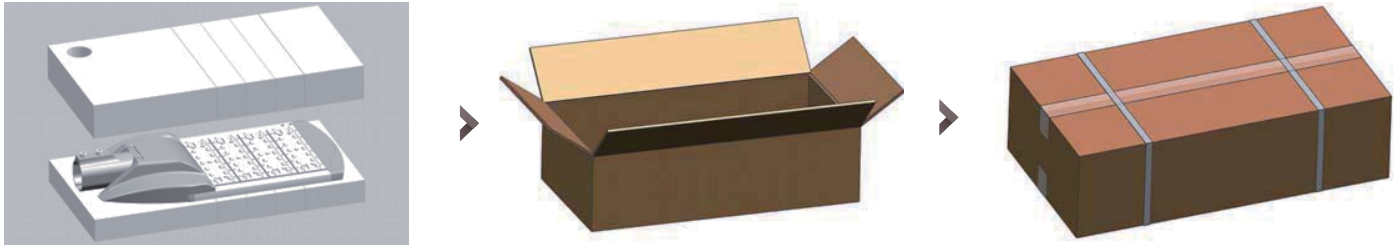
Close the cover, tighten the M5 hexagon screws both sides.



# Introducing a New Premium Experience

## Others

### PACKING



### INSTRUCTIONS

1. Please read the installation instruction very carefully before use and connection to ensure safety.
2. Please do not operate the device over marked voltage and frequency range.
3. Always switch off the power supply before commencing work!
4. Do not impact and fall the product.

### AFTER-SALE SERVICE

FH SOLAR & LED warrants this FH-branded hardware product against defects in materials and workmanship under normal use for a period of FIVE (5) YEAR from the date of purchase. FH provides free repair or replacement within warranty period. FH shall charge against defeats by abnormal storage, useage, connection or change the structure or any components of the product.

\*Damage by thunderstroke over 4KV(L,N against FG) /2KV(L against N) will not covered by warranty based on IEC61000-4-5.

And Offices FH SOLAR & LED Of Representation Offices


**FH SOLAR & LED**  
Central Oficina  
Nuñez Morgado 5  
28036 Madrid  
Tel:+34 913235993  
Cel:+34 600027027  
Fax:+34 913231054  
Spain

**FH SOLAR & LED S.A.S**  
Carrera 43A N°12-08  
Oficina 202  
Tel:+57(4)4484414  
Medellin  
Colombia

**FH SOLAR & LED**  
Av.Poder Legislativo 302  
Col.El Empleado  
Cp.62250  
Tl.+52(55)84217977  
Cuernavaca Morelos  
Mexico

**CASA LED CHILE**  
Av. Hipodromo 1588 Independencia  
Cp.8380000  
Tel.+56 550987376853  
Santiago  
Chile

The product (LED lighting equipment, electrical , electronic equipment) should not be placed in municipal waste. Check local regulations for disposal of electronic products.

- Features and specifications are subject to change without notice.
- The product color may be different with actual due to discrepancy of camera or screen settings.
- FH (  ) is a trademark of FH Tech. All other trademarks are trademarks of their respective owners.

